

**Cryocooler** 10W@77K

# TC4189

TC 4189 integrates a gas-bearing linear pressure-wave-generator with a pulse tube cold finger. It is optimized for applications where the efficiency is one of key concerns.

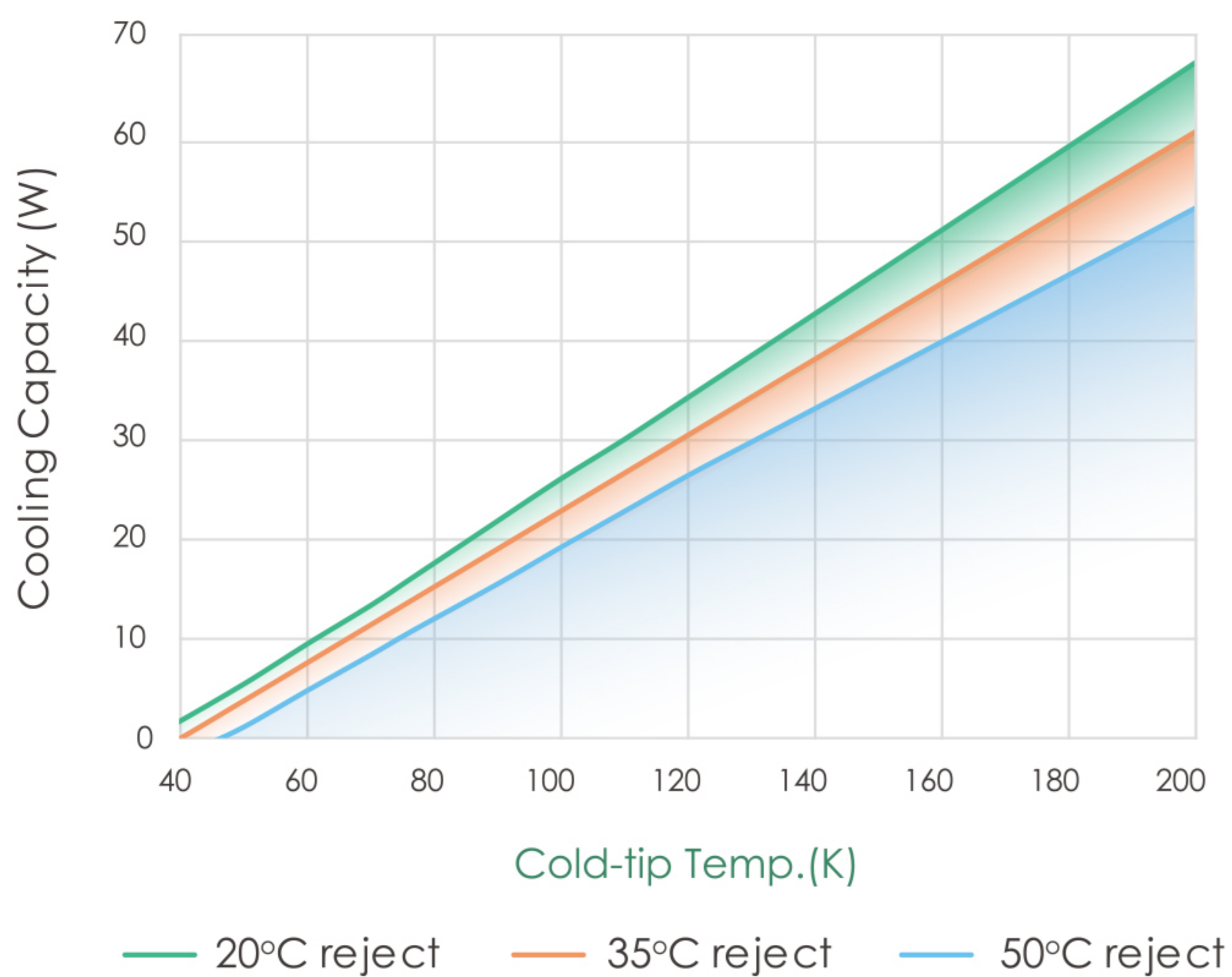


## Features

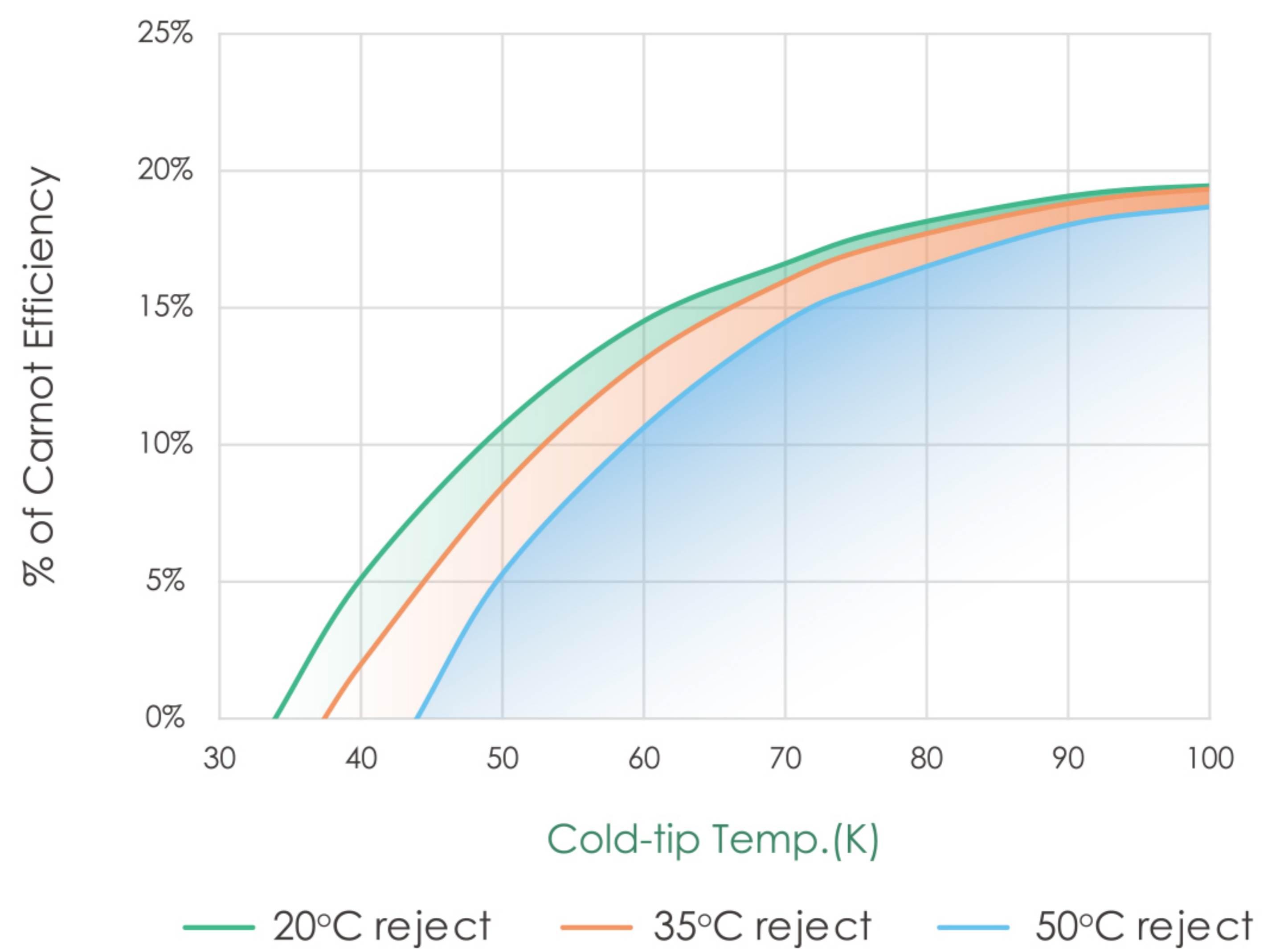
- 1 Dual opposed pistons driven by linear motor
- 2 Pulse tube cold finger
- 3 Selectable thermal radiators
- 4 Controller CT5544
- 5 Small footprint
- 6 Maintenance free
- 7 MTF > 50000h

## Typical performance

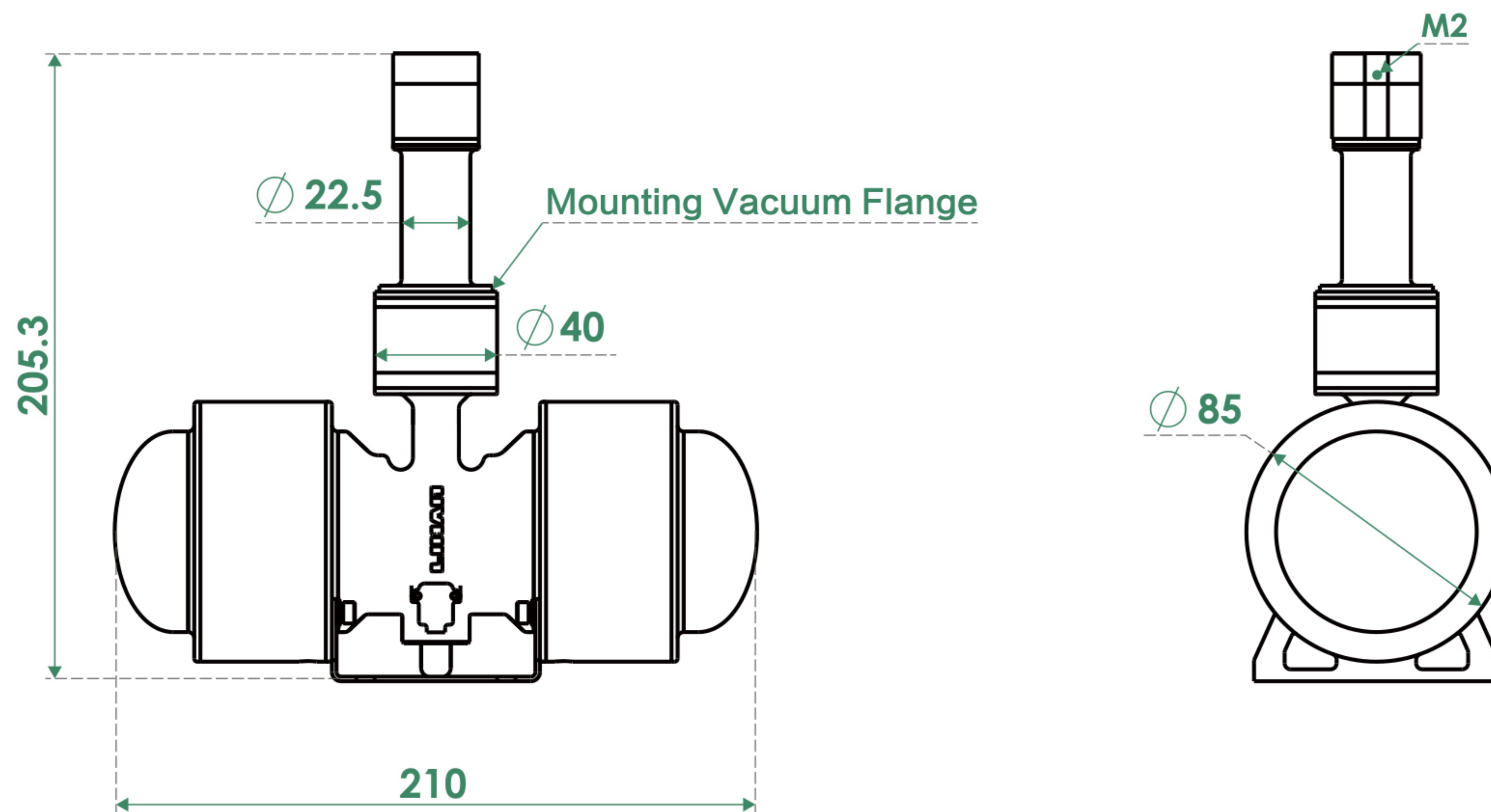
Cooling Capacity vs. Temperature  
240 W Input Power



Percentage of Carnot Efficiency  
240 W Input Power



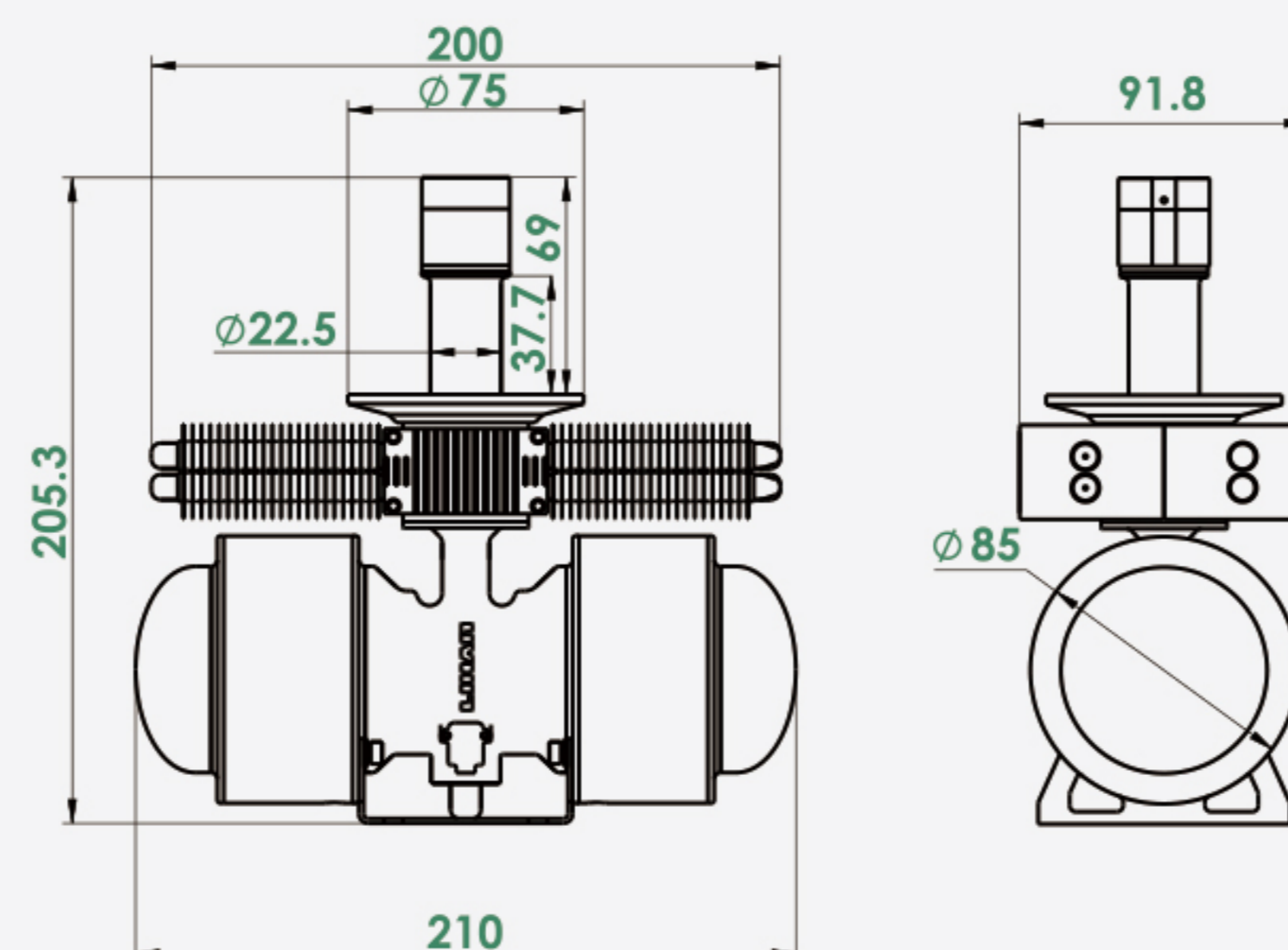
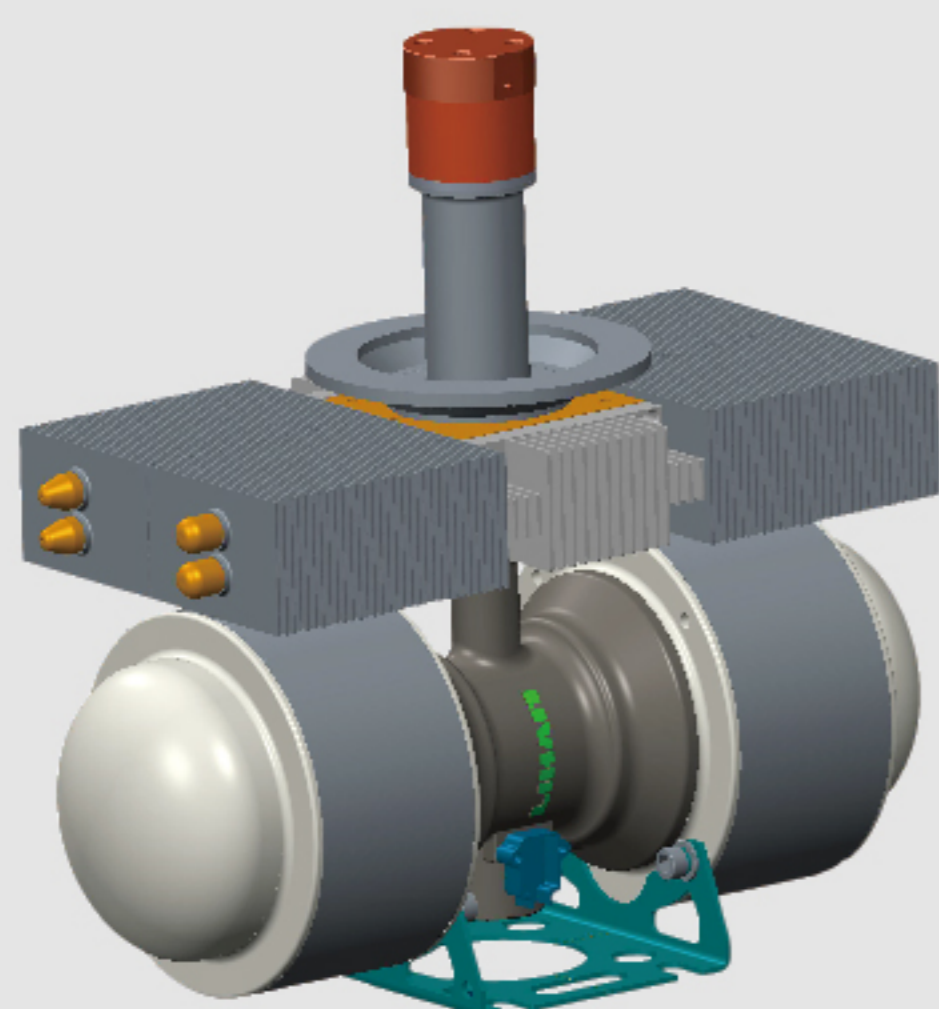
# Specifications and Dimensions



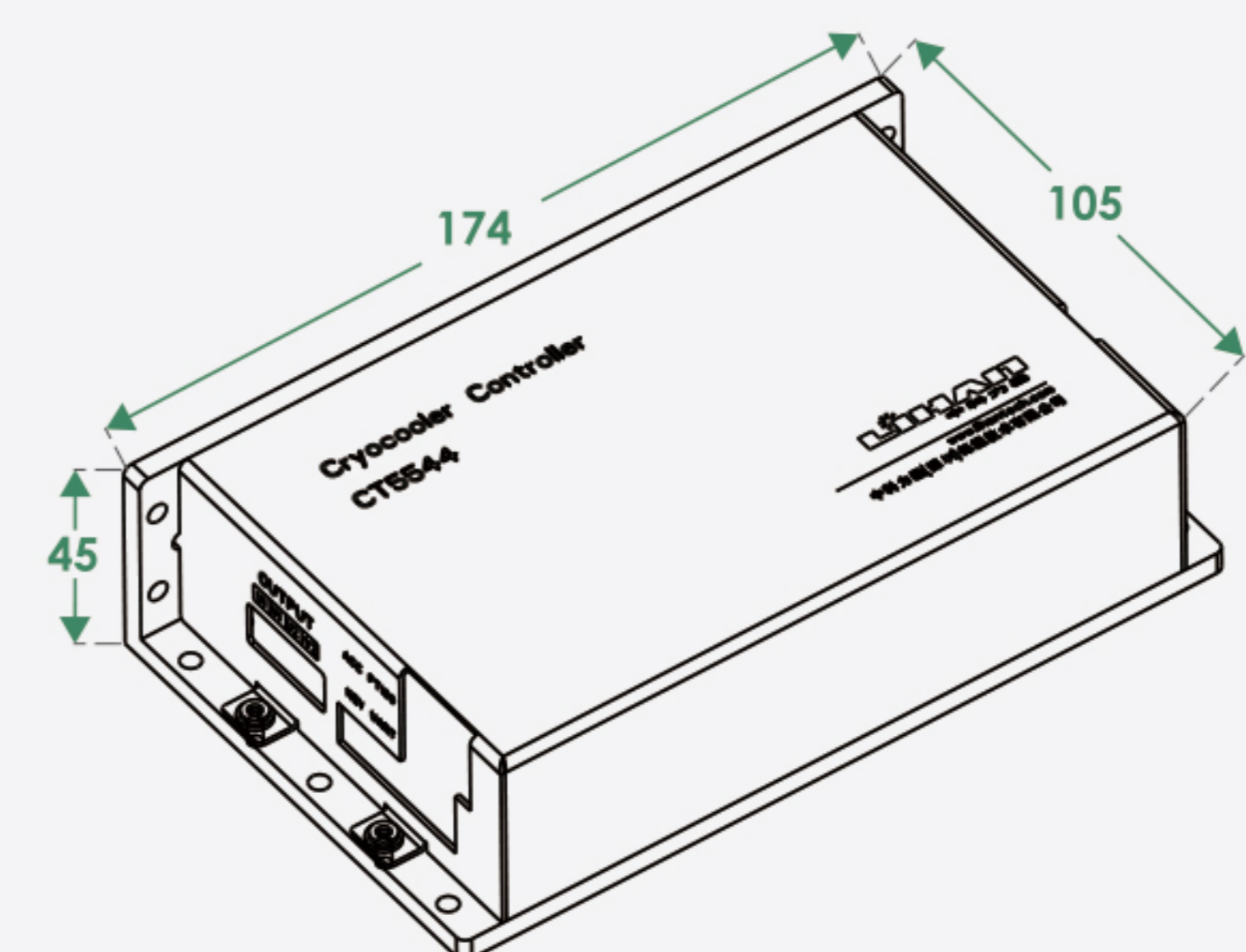
Operating Temperature	-20°C ~ +50°C
Nominal Input Power	160W
Nominal Cooling Capacity (20°C reject)	10W@77K
Max. Cooling Capacity (20°C reject)	16W@77K
Power Supply	DC48V
Lowest Temperature	≤ 45K
Weight	4.5kg
Temperature Stability	± 0.1K
Orientation	Any

## Radiator and Controller

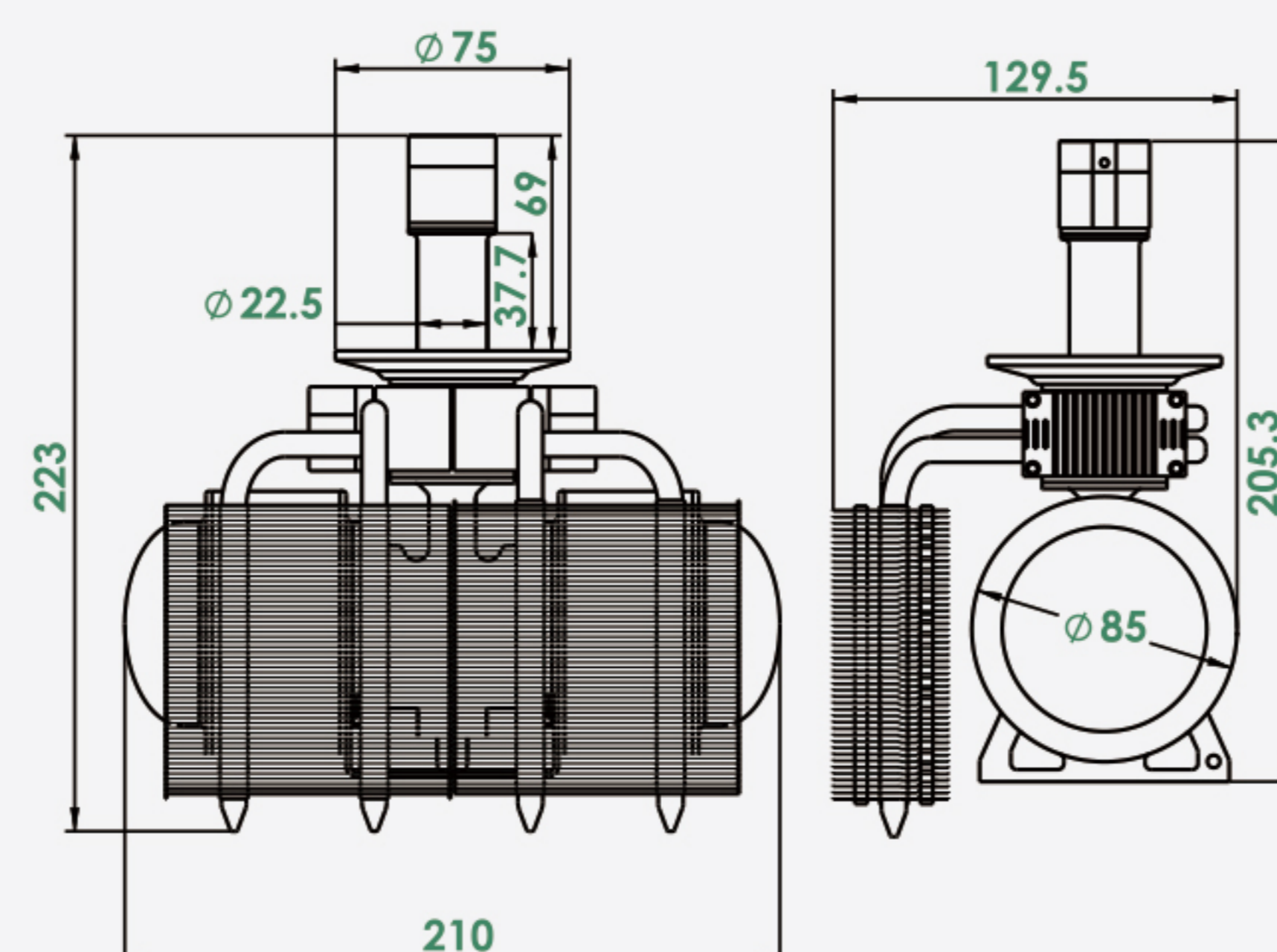
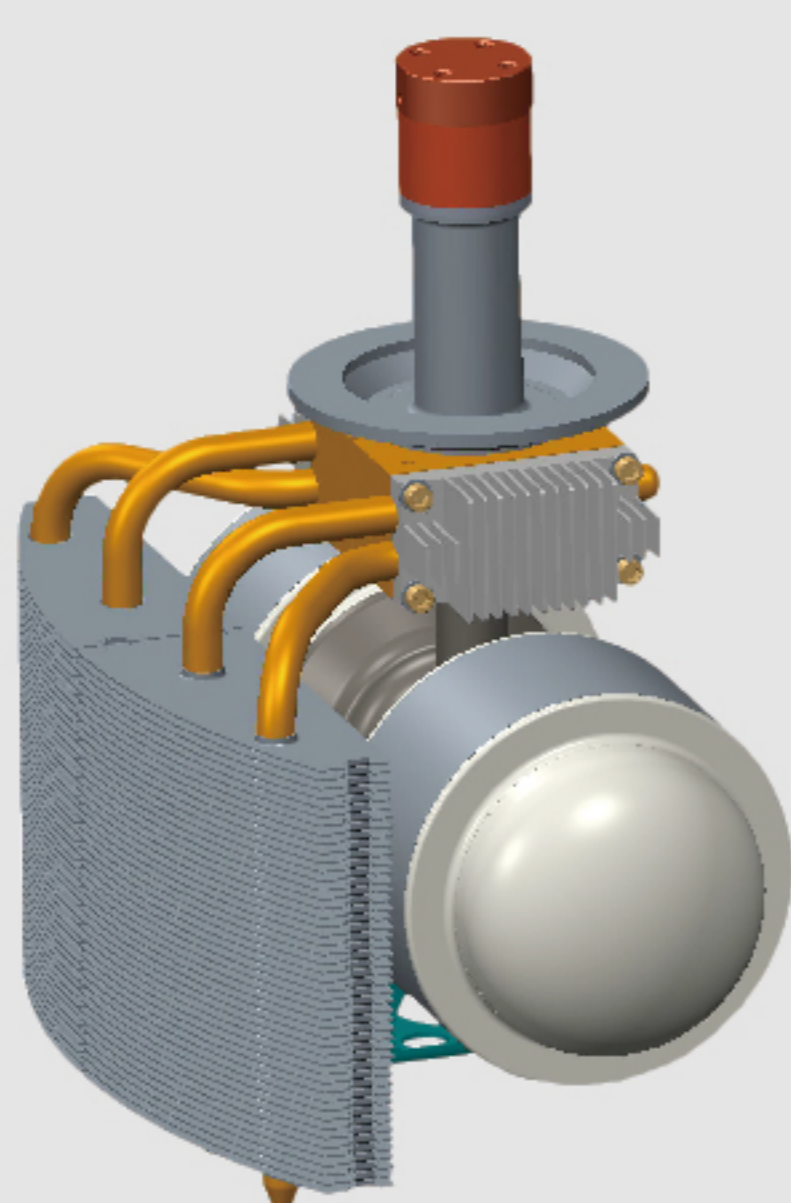
### I-shape Thermal Radiator



### CT 5544 Controller/Driver



### L-shape Thermal Radiator



### For more information:

Call : +86 755 86059186

Email : sales@lihantech.com

Web : www.lihantech.com

Add.: 3/F, Bldg. 4, Pingshan Minqi Industrial Park,  
Lishan Rd., Nanshan, Shenzhen, 518055, China

\*All dimensions in mm. Data subject to change without notice.