

Cryocooler 3W@77K

TC3380

TC 3380 integrates a gas-bearing linear pressure-wave-generator with a pulse tube cold finger. It is for applications where the efficiency is one of key concerns.

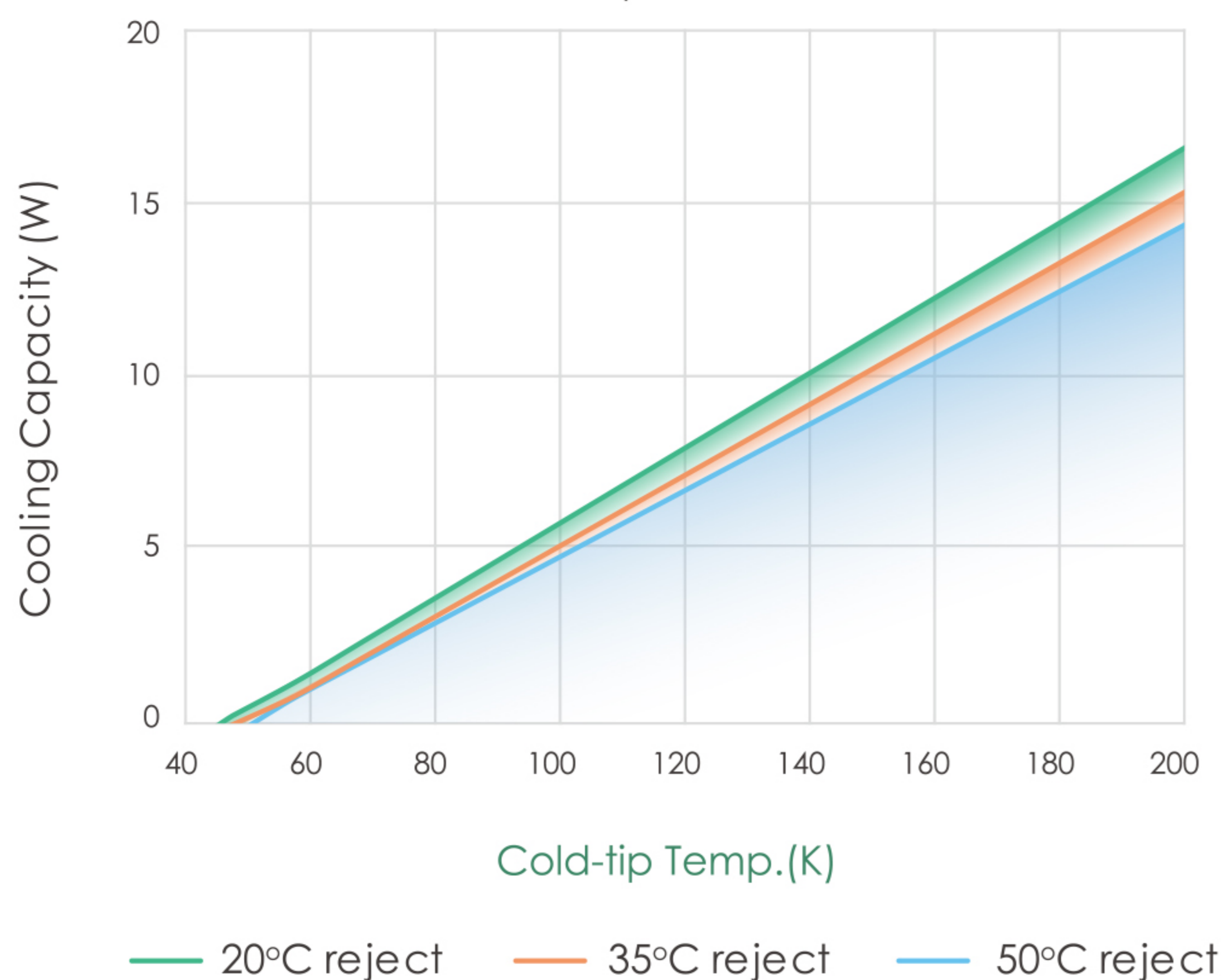


Features

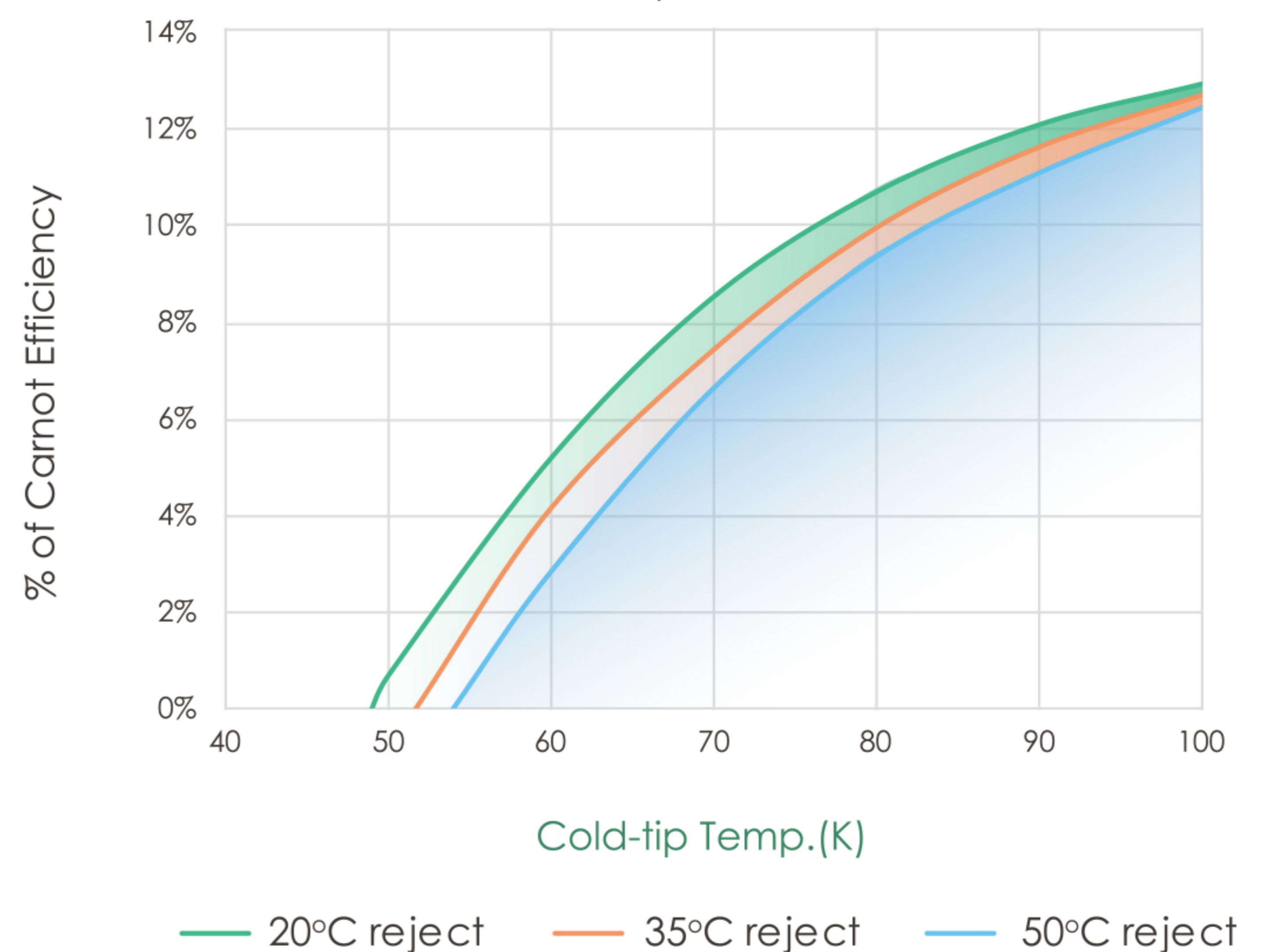
- 1 Dual opposed pistons driven by linear motor
- 2 Pulse tube cold finger
- 3 Selectable thermal radiators
- 4 Controller CT5221
- 5 Small footprint
- 6 Maintenance free
- 7 MTF > 50000h

Typical performance

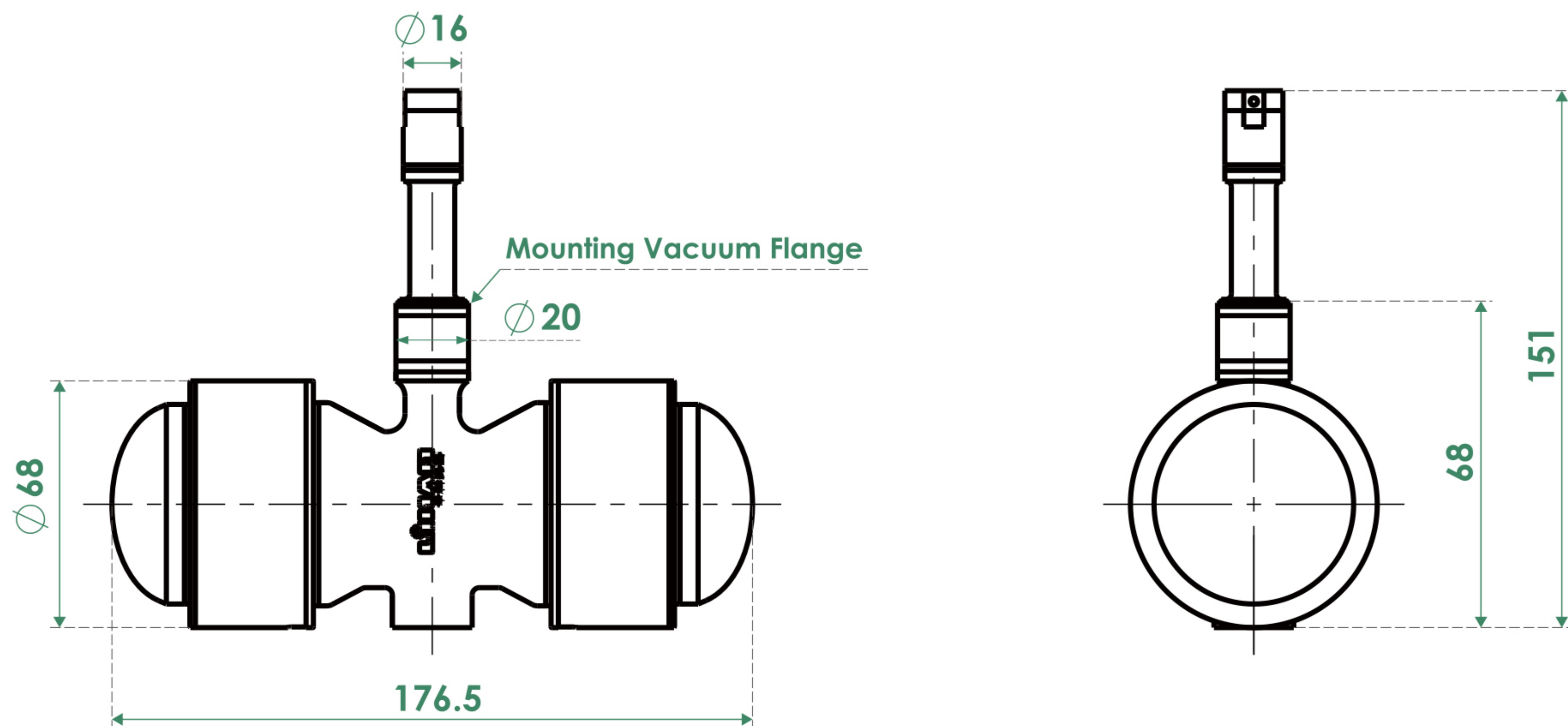
Cooling Capacity vs. Temperature
80 W Input Power



Percentage of Carnot Efficiency
80 W Input Power



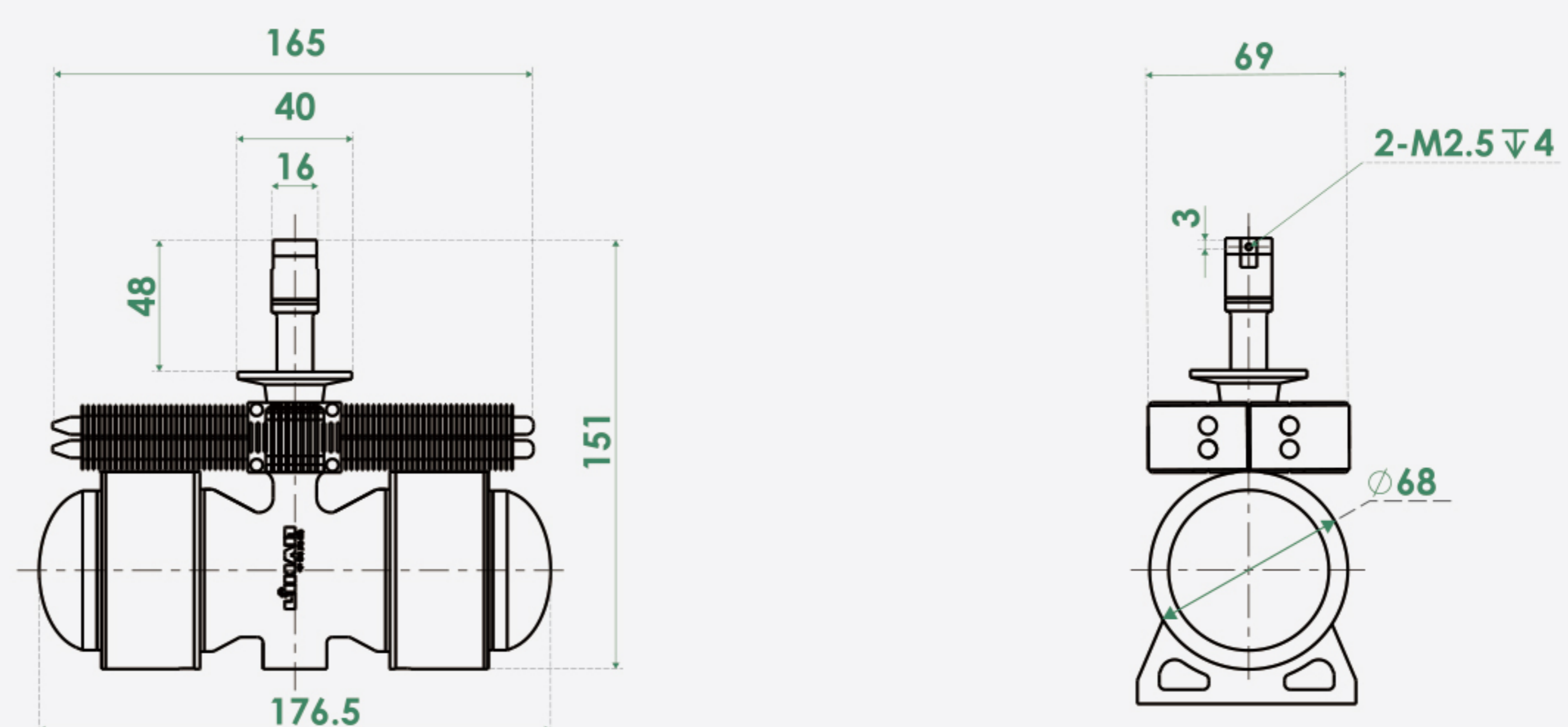
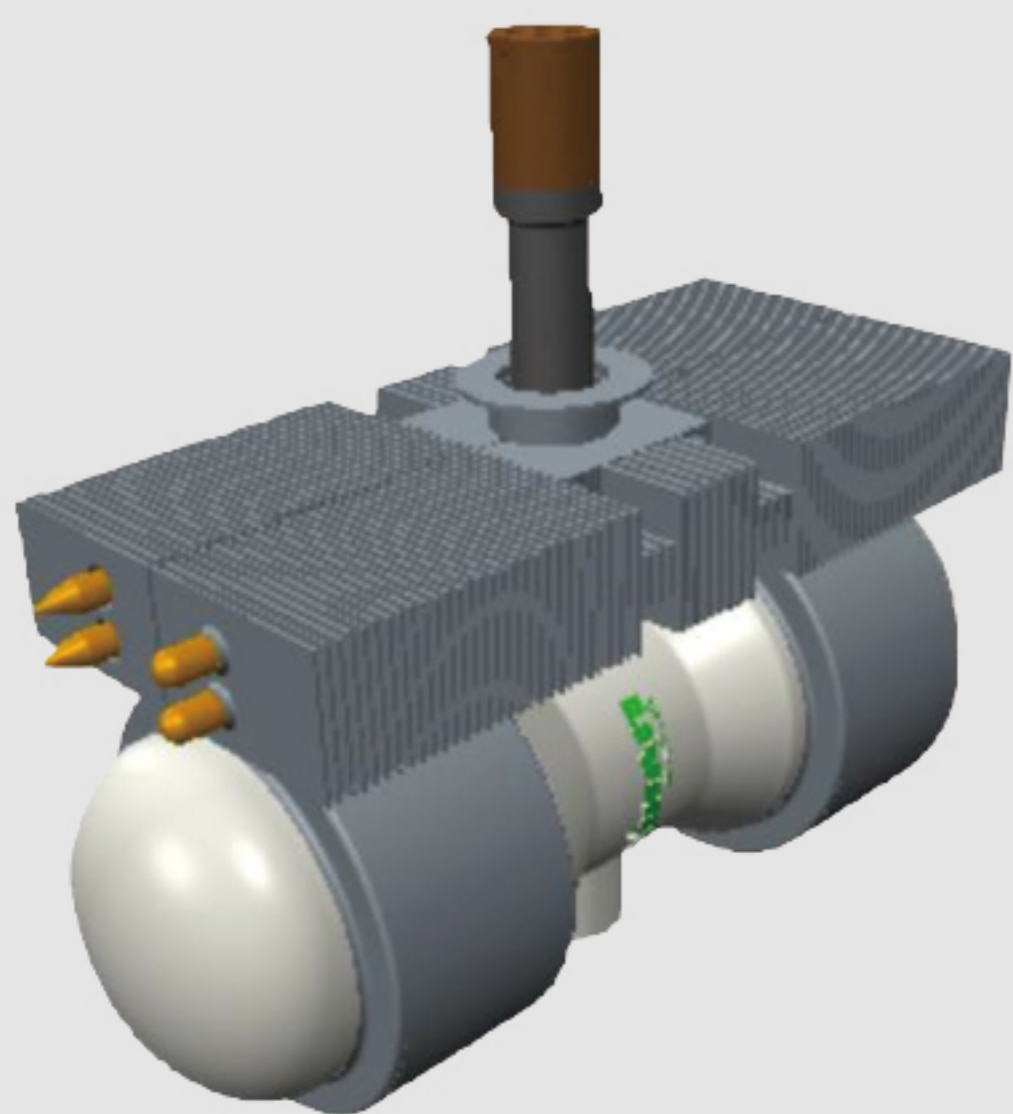
Specifications and Dimensions



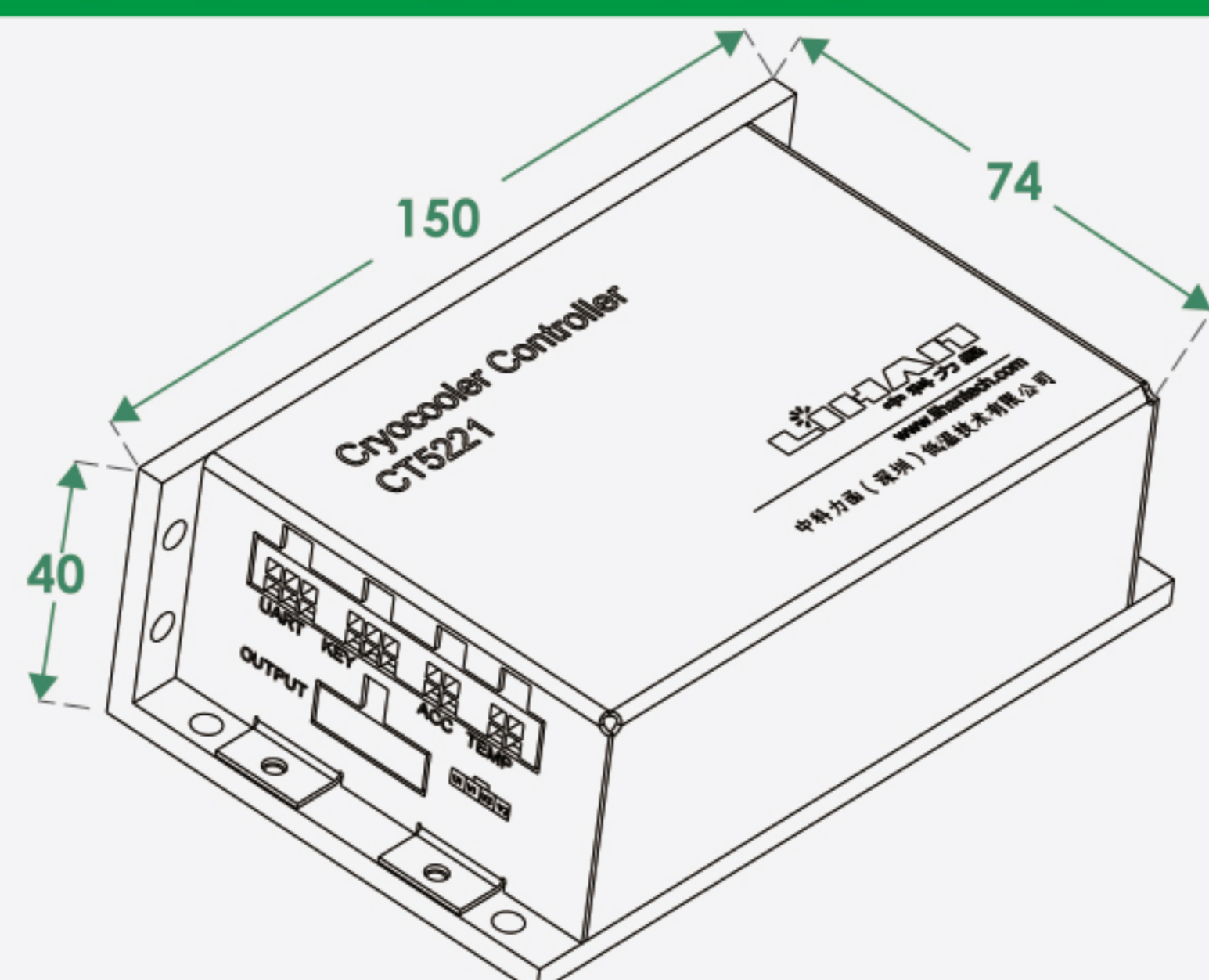
Operating Temperature	-20°C ~ +50°C
Nominal Input Power	80W
Nominal Cooling Capacity (20°C reject)	3W@77K
Max. Cooling Capacity (20°C reject)	5W@77K
Power Supply	DC24V
Lowest Temperature	≤ 47K
Weight	2.4kg
Temperature Stability	± 0.1K
Orientation	Any

Radiator and Controller

I-shape Thermal Radiator



CT 5221 Controller / Driver



For more information:

Call : +86 755 86059186

Email : sales@lihantech.com

Web : www.lihantech.com

Add.: 3/F, Bldg. 4, Pingshan Minqi Industrial Park,
Lishan Rd., Nanshan, Shenzhen, 518055, China

*All dimensions in mm. Data subject to change without notice.