



Opti-MAXes™ OMX-series Superconducting Magneto-Optical Vector Magnet System

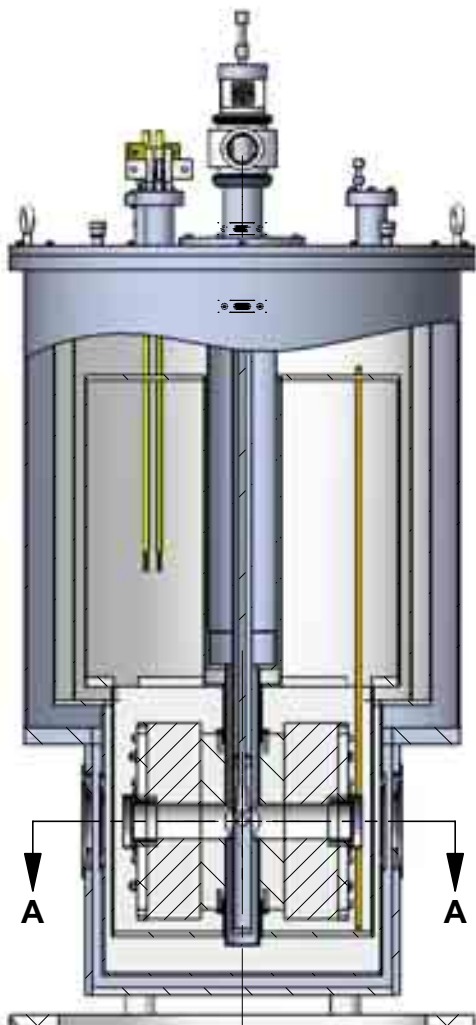
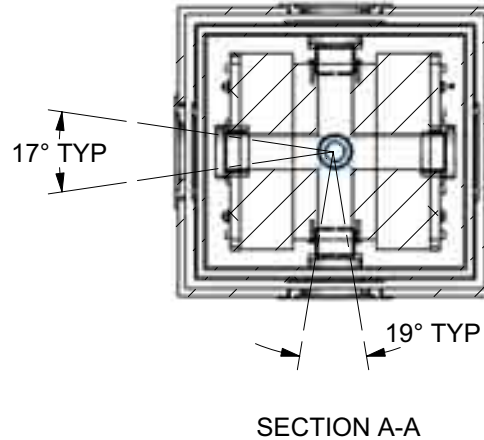
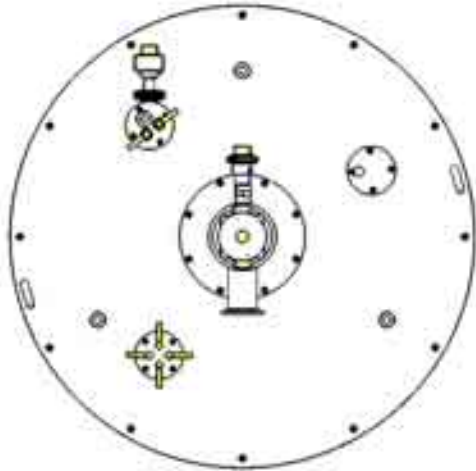
Opti-MAXes™ Systems include the following features:

- ✦ 2- or 3-axis magnetic field vector magnet with optical access
- ✦ Low-loss liquid helium cryostat with top loading sample insert with variable temperature from <math><2\text{K}</math> to 300K
- ✦ 1.0 Tesla vector field in any direction with 4.0 Tesla field in either vertical or horizontal configuration
- ✦ 4-quadrant power supplies and magnet controllers for fast ramping capability
- ✦ Liquid helium level instrumentation
- ✦ Liquid nitrogen level/auto-fill instrumentation for LN₂ shielded dewar
- ✦ Two channel temperature controller
- ✦ Color coded, quick-disconnect power cables (e.g., no tools required)
- ✦ Pumping station for variable temperature insert (VTI)
- ✦ Complete liquid helium system test of magnet and VTI at the factory
- ✦ System software interface for magnet control (LabVIEW™)
- ✦ Integrated instrumentation console and associated cables
- ✦ Complete system manual



AMERICAN MAGNETICS

EXCELLENCE IN MAGNETICS AND CRYOGENICS, SINCE 1968



Magnet System Specifications

- ✪ 1.0 Tesla vector field in any direction
- ✪ 4.0 Tesla horizontal field
- ✪ Persistent switches on all magnets
- ✪ Liquid helium capacity: 75 liters
- ✪ Liquid helium hold time: 200 hours (sample at 4K and zero current in leads)
- ✪ Liquid nitrogen shield capacity: 21 liters
- ✪ Liquid nitrogen hold time: 48 hours
- ✪ Vapor or liquid nitrogen shielded dewar
- ✪ (4) horizontal windows 11.0 mm diameter clear view
- ✪ VTI temperature range: <2K to 300K
- ✪ Configurable for use with an existing ³He or dilution refrigerator insert
- ✪ Custom and cryogen-free versions available as alternate configurations

Please feel free to contact us or your AMI representative to discuss your requirements:

<http://www.americanmagnetics.com>

sales@americanmagnetics.com

Tel. (865) 482-1056